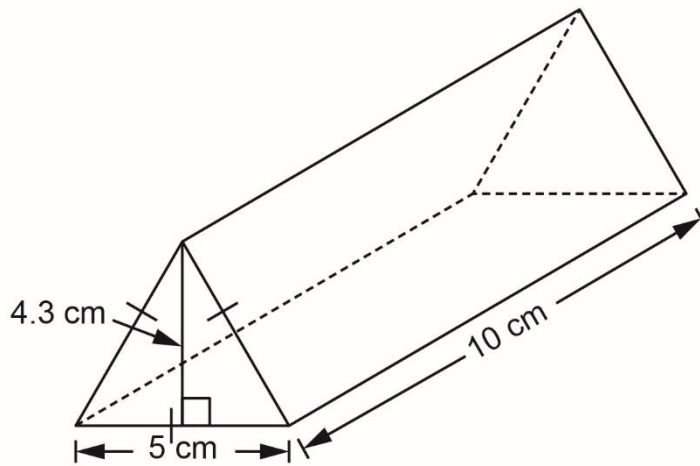


Surface Area of a Triangular Prism

Note: Each prism is drawn to scale.

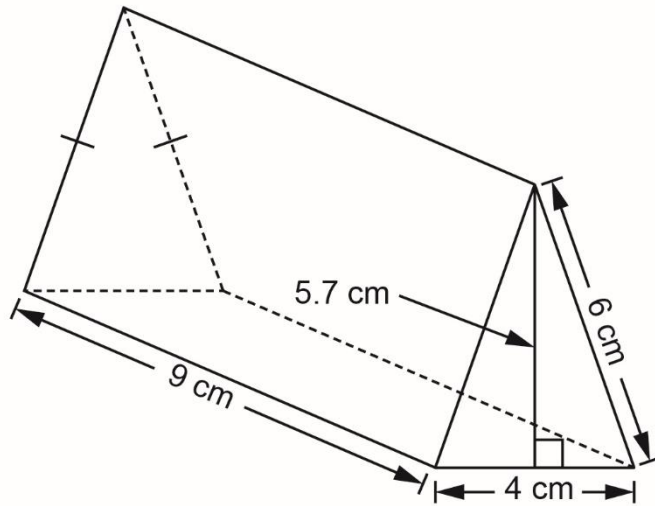
Prism 1: Sketch and label the net of the right triangular prism.
Determine the surface area.
Develop a formula to determine the surface area of the prism.



Measurement
Unit 1 Line Master 9b

Surface Area of a Triangular Prism (cont'd)

Prism 2: Sketch and label the net of the triangular prism.
Determine the surface area.
Develop a formula to determine the surface area of the prism.



Surface Area of a Triangular Prism (cont'd)

Prism 3: Sketch and label the net of the triangular prism.
Determine the surface area.
Develop a formula to determine the surface area
of the prism.

