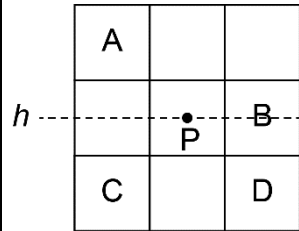


Activity 2 Assessment

Using Transformations to Describe Tessellations

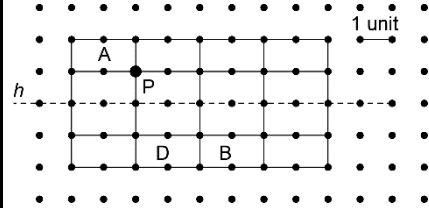
Using Transformations to Describe Tessellations

Identifies and describes transformations of a polygon in a tessellation



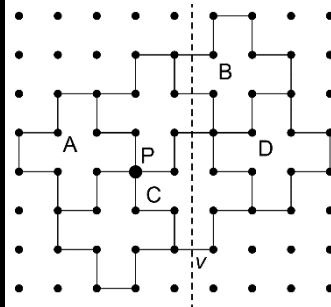
Square A is translated 2 units right, 1 unit down to its Image B.
 Square A is reflected in a horizontal line h to its Image C.
 Square A is rotated 180° about point P to its Image D.

Identifies a combination of transformations in a tessellation



Shape A is translated 4 units right, then reflected in line h to its Image B.
 Shape A is rotated 180° about point P, then translated 2 units down to its Image D.

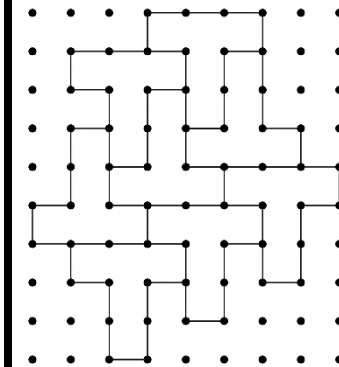
Creates a tessellation and describes the transformation(s)



Shape A is translated 4 units right and 2 units up to its Image B.
 Shape A is rotated 180° about point P to its Image C.
 Shape A is reflected in line v to its Image D.

Creates a new shape, then tessellates it

I started with Shape A. I cut off 1 square and taped it to the opposite side. Then, I used the revised shape to create a tessellation.



Observations/Documentation