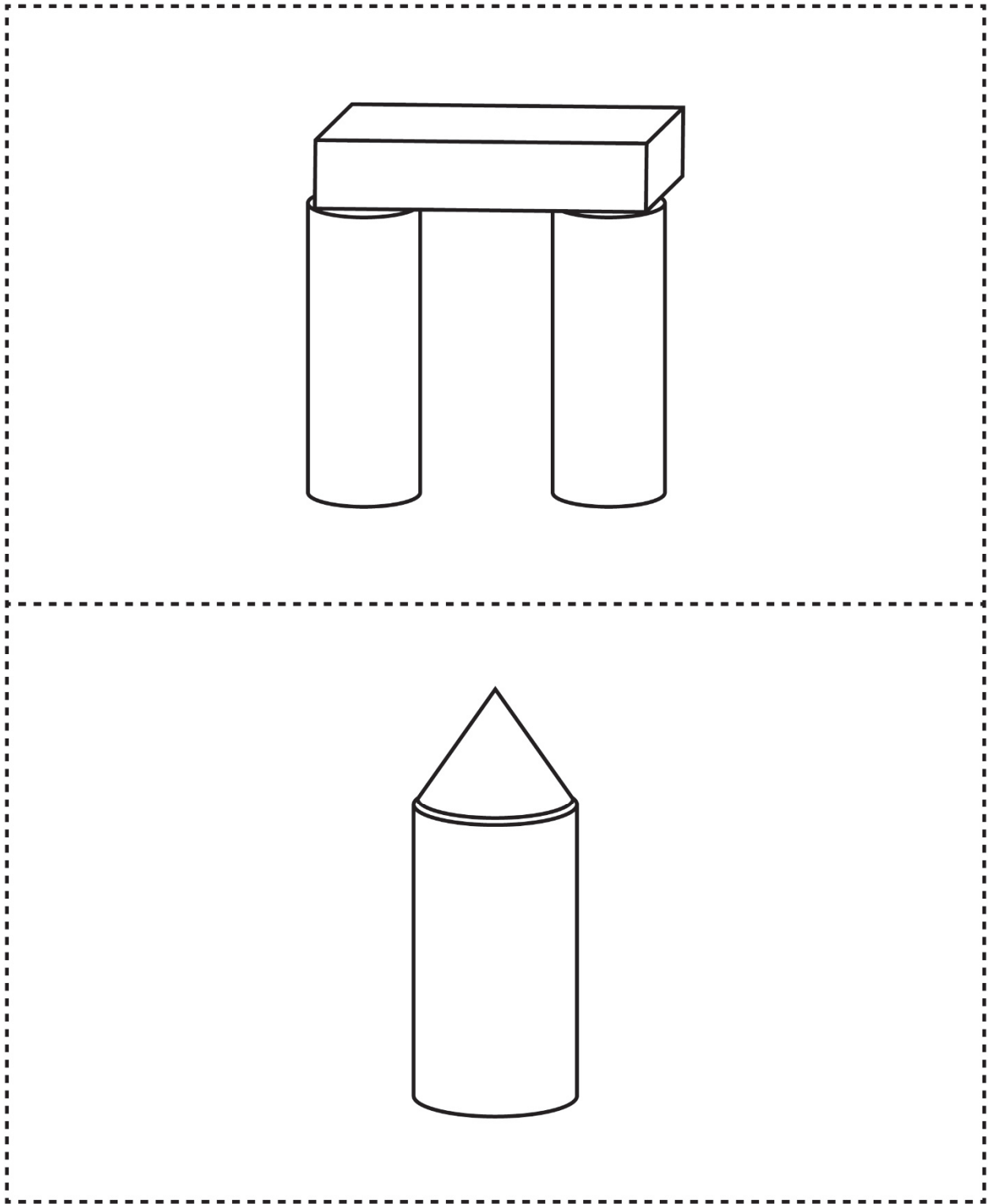


Name \_\_\_\_\_ Date \_\_\_\_\_

Master 29a

# Made with Solids Cards



Master 29b

# Made with Solids Cards

