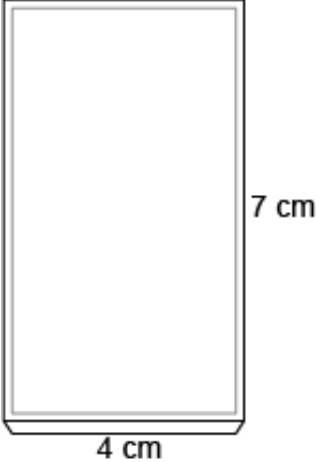
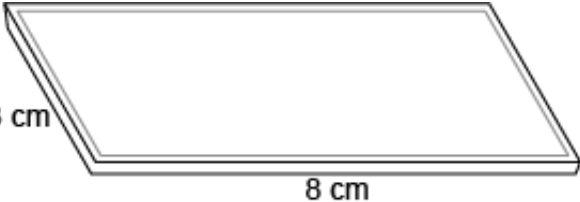
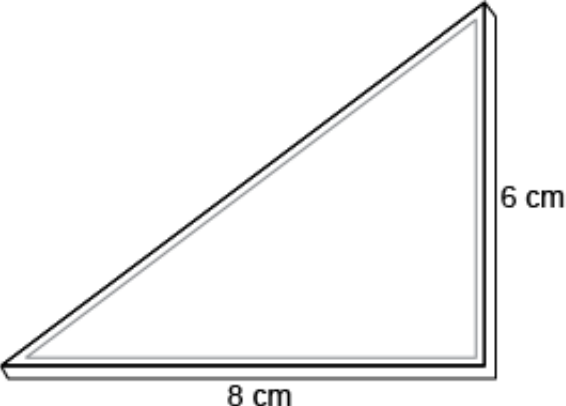


Fiche 4a

Les figures à la chocolaterie

Moule	Figure congruente
 <p>A rectangular mold with a width of 4 cm and a height of 7 cm.</p>	
 <p>A parallelogram mold with a base of 8 cm and a height of 3 cm.</p>	
 <p>A right-angled triangular mold with a base of 8 cm and a height of 6 cm.</p>	

Fiche 4b

Les figures à la chocolaterie (suite)

Moule	Figure congruente
